

Simplicity Bubblers

Chilled Beverage Dispensers 4x9 L, agitator model with locking lid

ITEM # _____

MODEL # _____

NAME # _____

SIS # _____

AIA # _____


CCCRKZ (ECS4E22)

 Chilled Beverage Dispenser
 with 4x9 liter bowls with
 agitator and locking lid,
 R290

Short Form Specification

Item No. _____

Chilled beverage dispenser, 4x9lt, with agitation function for fresh juices, coffees, or teas with minimal foaming system. Dispense 4 flavors in (4) 2.4 gallon / 9lt easy-clean bowls with 23 cm cup clearance. Easy-off bowl release system for faster and easier assembly and disassembly. Bowls with locking lid for added safety against tampering. Temperature range from 1.7 - 5° C. Pre-mix dispenser with stainless steel base and clear plastic bowls.

Main Features

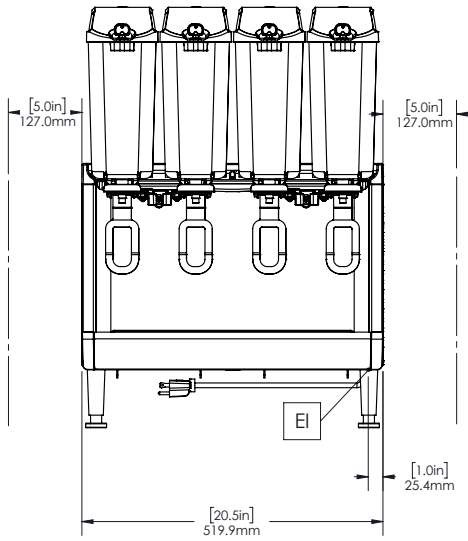
- Agitation function for fresh juices, coffees, or teas with minimal foaming system.
- Easy-off bowl release system for faster and easier assembly and disassembly.
- User friendly design enables machine to dispense product till the very last drop.
- Dispense 4 flavors in (4) 9 L easy-clean bowls with 23 cm cup clearance.

Construction

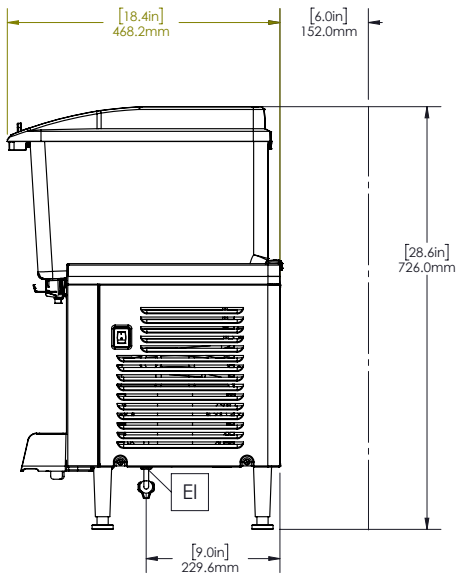
- Temperature range from 1.7 - 5° C.
- Locking lid for added safety against tampering.
- Pre-mix dispenser with stainless steel base and clear plastic bowls.
- Fewer removable parts to simplify cleaning and reduce maintenance.
- The air intakes from the bottom and exhaust to back.
- Refrigerant type: R290.

APPROVAL: _____

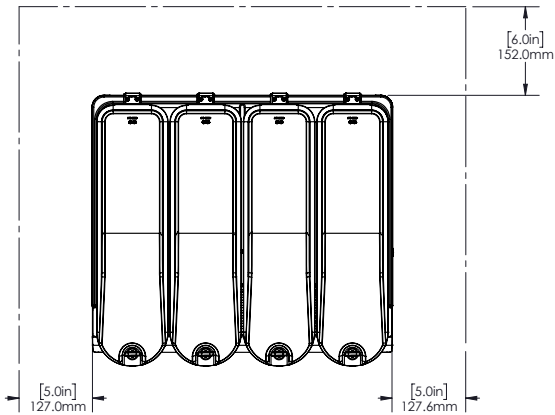
Front



Side



Top





Electrolux
PROFESSIONAL

Simplicity Bubblers Chilled Beverage Dispensers 4x9 L, agitator model with locking lid

Electric

Supply voltage:	220-240 V/1N ph/50/60 Hz
Electrical power max:	0.6 kW

Key Information:

Net weight:	32 kg
Shipping weight:	36 kg
Shipping height:	650 mm
Shipping width:	500 mm
Shipping depth:	650 mm

Sustainability

Refrigerant type:	R290
Refrigerant weight:	85 g



Simplicity Bubblers
Chilled Beverage Dispensers 4x9 L, agitator model with locking lid
The company reserves the right to make modifications to the products
without prior notice. All information correct at time of printing.

2025.04.18